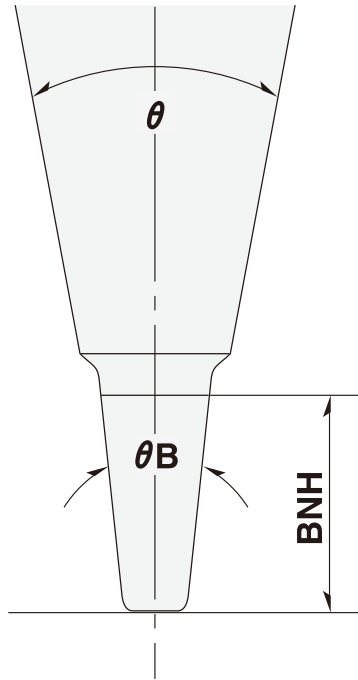
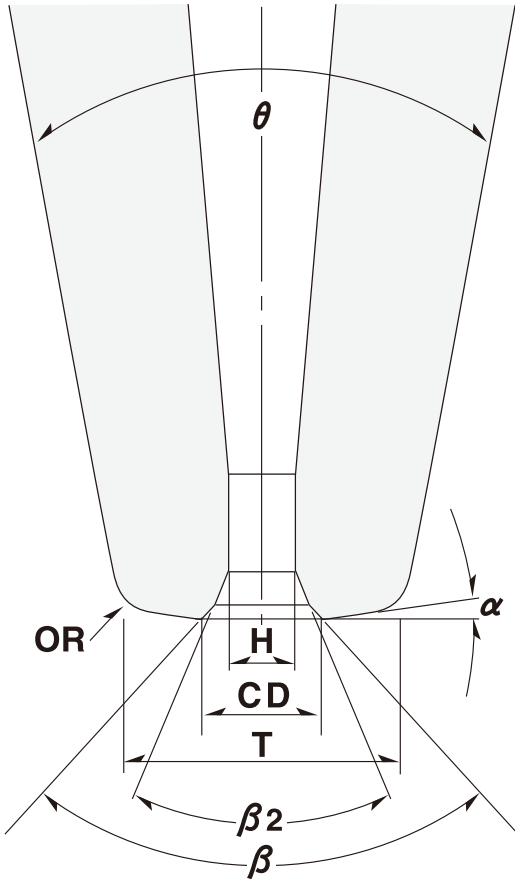


Custom-made Order Sheet



- H** ... Hole Diameter
- T** ... Tip Diameter
- CD** ... Chamfer Diameter
- OR** ... Outer Radius
- α ... Face Angle
- θ ... Cone Angle
- L** ... Tool Length

Type ... Standard or Bottleneck

Finish ... Polish or Matte

β ... Chamfer Angle

θB ... Bottleneck Angle

BNH ... Bottle Neck Height

Tolerances ... Standard or High Spec

Material ... Ruby or Ceramic

Please describe a size.

Material	H	T	CD	OR	α	θ	L	Type	Finish	β	θB	BNH	Tolerances	Option

Customer	
-----------------	--