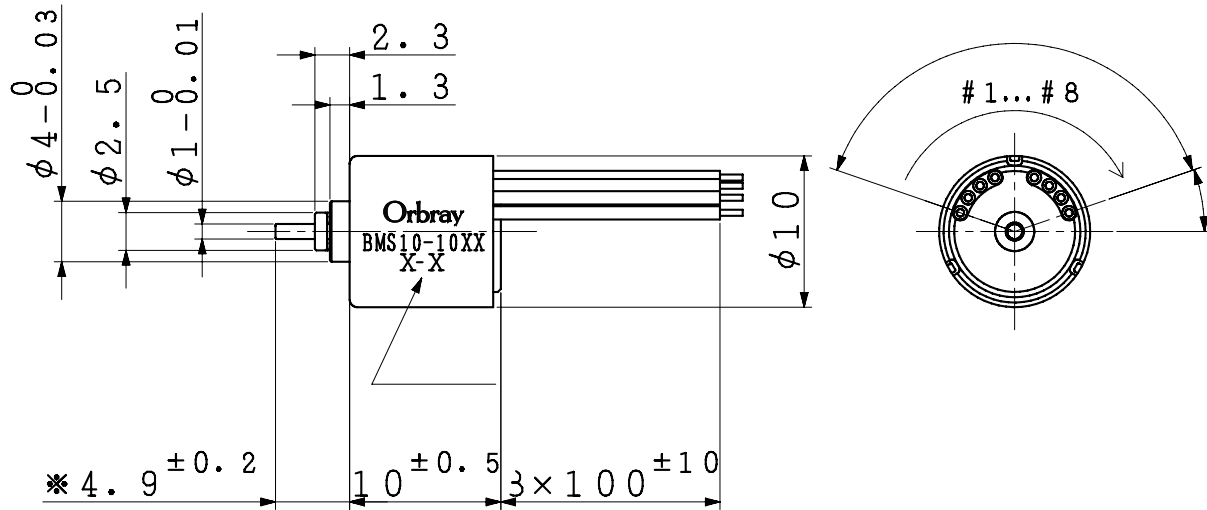
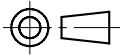


Orbray



Explanation of output alignment

Line of hall element The coil terminal

No	Sym	Color	No	Sym	Color
# 1	W	Yellow	# 5	Hv	Black
# 2	V	Brown	# 6	U	Gray
# 3	Hu	White	# 7	GND	Blue
# 4	Hw	Red	# 8	Vdd	Orange

NOTE 1) MARKED(*) IS OUTPUT SHAFT LENGTH MEASURED WHEN IT IS PUSHED TO MOTOR SIDE.
*印寸法は出力軸をモータ側に押しつけた時の値を示す。

2) LOT NO.
EXAMPLE) JANUARY, 2018
[18-A]

JANUARY:A, FEBRUARY:B...DECEMBER:L
1月:A、2月:B...12月:L
[-] :MADE IN THAILAND
[-] 有り :海外工場生産
[-] NONE :MADE IN JAPAN
[-] 無し :国内工場生産
THE END TWO DIGIT OF CHRISTIAN YEAR
西暦年数末尾数字2桁

- 3) THE LEAD WIRE IS AWG28 UL3302.
リード線はAWG28 UL3302を使用す。
- 4) OUTSIDE DIAMETER IS NOT APPLIED TO THE CAULKING.
外径寸法公差はカシメ部を除く。
- 5) 3×M1.2 AND LEAD WIRE DRAWING POSITIONS ARE OUT OF DIMENSIONAL CONTROL.
3×M1.2とリード線引き出し角度は寸法管理外とする。

TOLERANCE						
DIMENSION (±)			ANGLE			
	0	1	2	3		
L ≤ 6	0.05	0.1	0.1	0.3		
6 < L ≤ 30	0.1	0.1	0.2	0.5		
30 < L ≤ 120	0.15	0.2	0.3	0.8		
120 < L	0.2	0.3	0.5	1.2		
MATERIAL	FINISH	QTY.	SCALE	DATE	NOTE	DRW. CHK. APPD.
			2/1			
			UNIT	TYPE	BMS10-10	
			1/1mm	TITLE	Outline Drawing	
APPD.	CHK.	DSGN.	DRW.	DWG.NO.		
				REF.NO.		
		17-1201	17-1201	CHK.NO.	REMARK	